

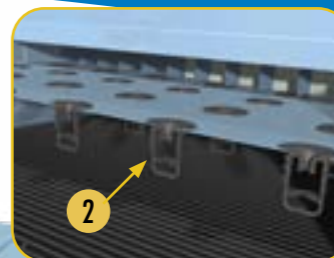
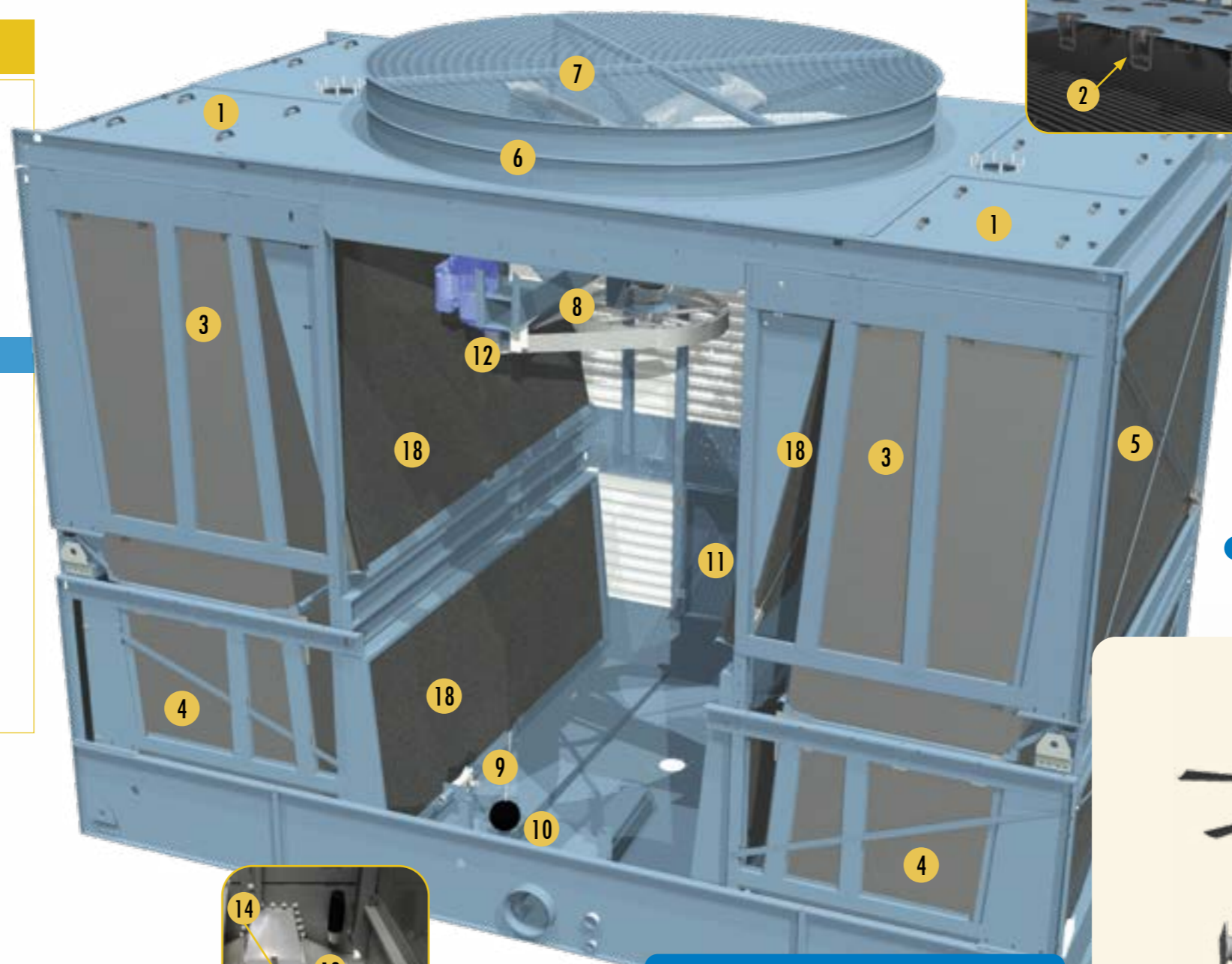
S3000E >>>



Fill & Pan Section

- i 1. Hot water basin
- i 2. Nozzles
- i 3. BACross 3 - Fill sheets with integrated drift eliminators
- i 4. BACross 3 - Lower fill sheets with integrated drift eliminators*
- 5. Combined inlet shields
- i 6. Fan cylinder
- 7. Fan guard
- i 8. Axial fan assembly - (see detailed view)
- i 9. Make-up valve assembly
- i 10. Float ball
- i 11. Access door
- 12. Motor base & adjust rod
- 13. Pan strainer
- i 14. Pan strainer hood
- 15. Heater
- i 16. Low level cut out switch
- i 17. Heater thermostat
- i 18. Additional layer of drift eliminators*

*(certain models)



i Gear box driven (option)



Client contact information

Name _____
 Company _____
 Telephone _____
 Email _____
 Unit model _____
 Serial number _____

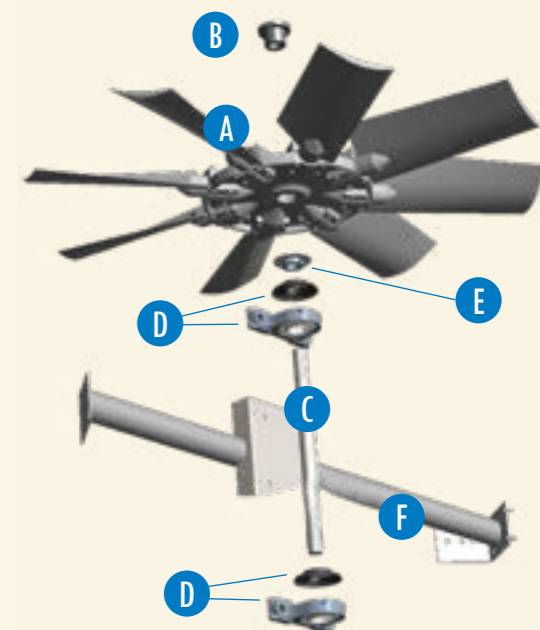


Name _____
 Telephone _____
 Email _____



Axial fan assembly

- i A. Axial fan
- i B. Fan bushing
- i C. Fan shaft
- i D. Bearing with flinger collar
- E. Fan locking collar
- F. Bearing support
- i G. Impervix Fan motor
- i H. Drive set
- i Motor sheave & bushing
- Aluminium fan sheave & bushing
- i Belt set



Quantities may vary according to the unit type.

Spare parts for cooling tower



This is not an official order form.